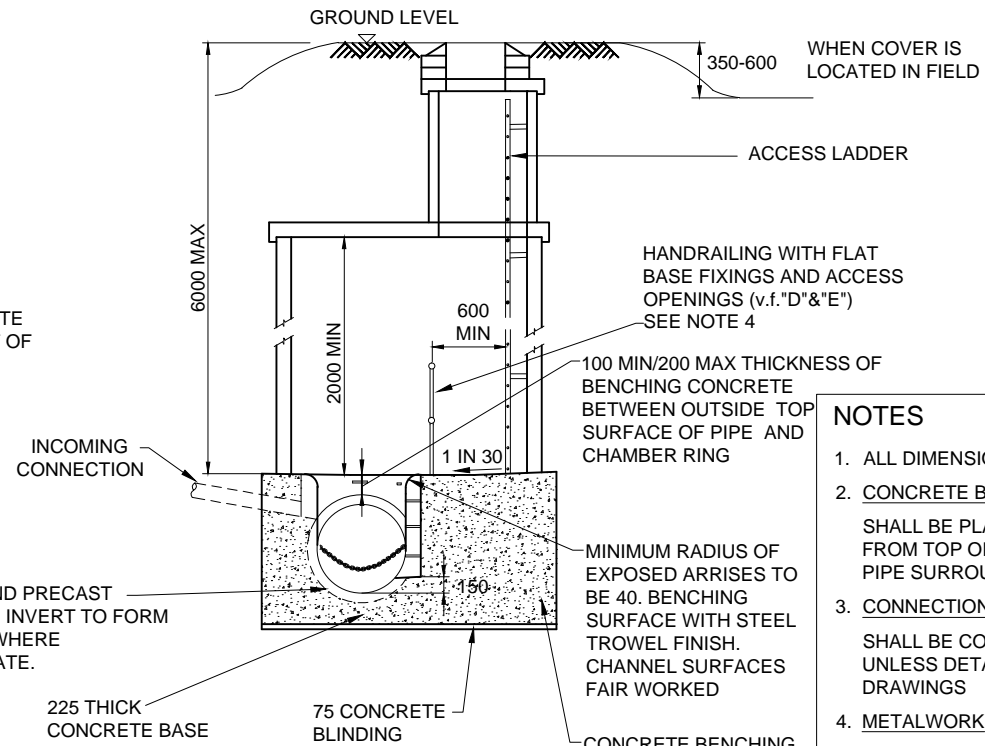
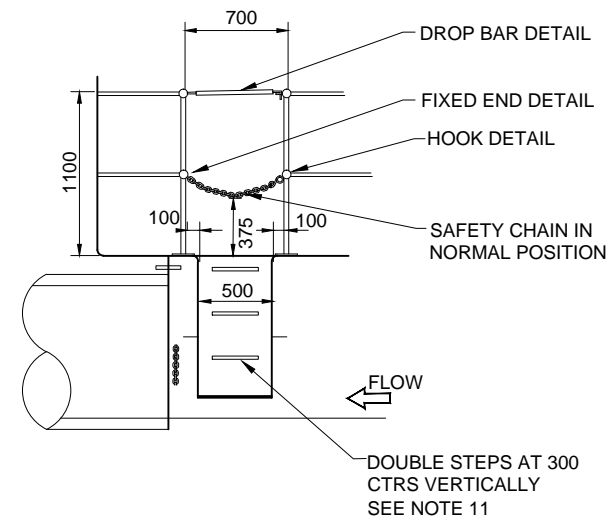


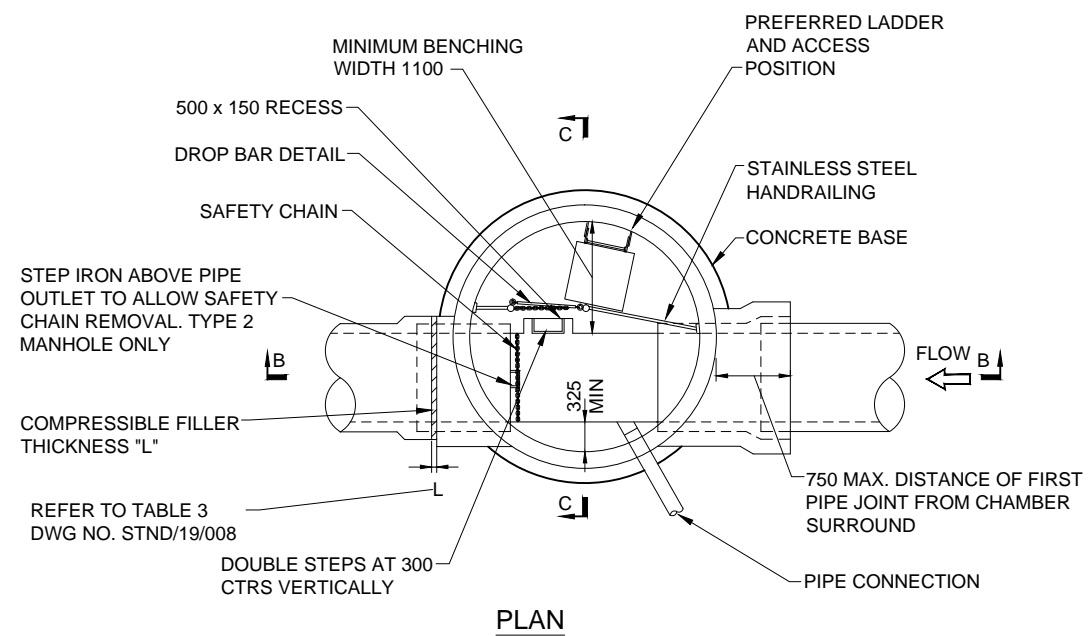
SECTION B-B



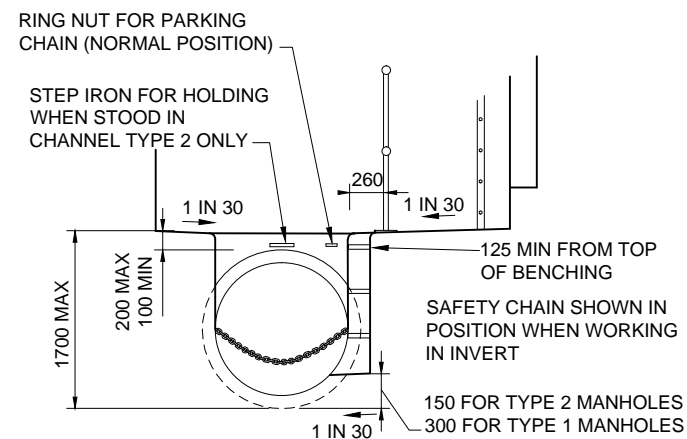
SECTION C-C



FRONT ELEVATION



MANHOLE TYPE 2  
PIPES 600 - 1500 DIAMETER  
(DEPTH TO BENCHING NOT EXCEEDING 6000)



SIDE ELEVATION  
(LOOKING DOWNSTREAM)

NOTES

- ALL DIMENSIONS ARE IN MILLIMETRES
- CONCRETE BENCHING AND PIPE SURROUND**  
SHALL BE PLACED IN SINGLE CONTINUOUS OPERATION FROM TOP OF BASE SLAB TO TOP OF BENCHING AND PIPE SURROUND
- CONNECTION INTO MANHOLES**  
SHALL BE CONSTRUCTED WITH THE SOFFITS LEVEL UNLESS DETAILED DIFFERENTLY ON CONTRACT DRAWINGS
- METALWORK**  
LADDERS, HANDRAILING AND SAFETY CHAIN SHALL BE AS SHOWN ON DEVELOPER SERVICES DETAIL 9 (STND/19/009)
- CONCRETE SURROUND TO MANHOLES**  
A CONCRETE SURROUND IS NOT NORMALLY REQUIRED TO MANHOLES UNLESS INSTALLED IN AREAS OF UNSTABLE GROUND, UNDER CONDITIONS OF FLOTATION OR WHERE SUBJECTED TO EXCEPTIONAL OR ECCENTRIC LOADS. IN WHICH CASES A 150 SURROUND OF AT LEAST 20 N/mm CONCRETE SHALL BE PROVIDED. ANY JOINTS SHOULD BE STAGGERED WITH PRECAST CONCRETE JOINTS
- MINIMUM LENGTH OF CHANNEL (X Min)**

CHAMBER DIA	"X" MIN
1050	800
1200	950
1350	1000
1500	1050
1800	1150
2100	1300
2400	1450
2700	1550
3000	1700

- CUT ENDS OF REINFORCED CONCRETE PIPES**  
SHALL BE TREATED WITH EPOXY RESIN PAINT/MORTAR
- MANHOLE ACCESSES FOR MANHOLE ACCESS**  
OPTIONS AND DETAILS SEE DEVELOPER SERVICES DETAIL 10 (STND/19/010). DOUBLE STEPS SHALL BE PLASTIC ENCAPSULATED CARBON STEEL. DOUBLE STEPS SHALL NOT BE USED WHERE COVER-TO-SOFFIT DIMENSION IS >3.0m
- COVER AND FRAME**  
150 DEEP COVERS ARE TO BE USED IN CATEGORY 1, 2, 3 ROADS. 100 DEEP COVERS ARE TO BE USED IN CATEGORY 4 ROADS. DOUBLE TRIANGULAR COVERS ARE TO BE USED IN CARRIAGEWAY. ROAD CATEGORY TO BE DESIGNATED BY THE HIGHWAY AUTHORITY. FRAME TO BE SET AS PER SPECIFICATION
- CONCRETE**  
ALL IN-SITU CONCRETE TO BE DC - 3 OR FND3
- VARIABLE FEATURES (V.F.)**  
WHERE V.F. APPEARS IN ANNOTATION REFER TO VARIABLE FEATURES AS SHOWN ON DEVELOPER SERVICES DETAIL 10 (STND/19/010)

CURRENT ISSUE INFORMATION

A	SC	DH	SD	FOR INFORMATION	14.04.16
VERSION	DRAWN	CHKD	REVD	DATE	



UNITED UTILITIES LTD  
DEVELOPER SERVICES  
DETAIL 2  
MANHOLE TYPE 2 AND  
INVERT ACCESS DETAIL

SCALE	NTS	SHEET SIZE	A3
DRAWING NUMBER	STND/19/002	REVISION	A